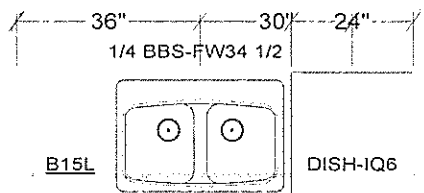


MORSE SASH & DOOR CO  
 40 JARLEY ROAD  
 ROCHESTER, NY 14623

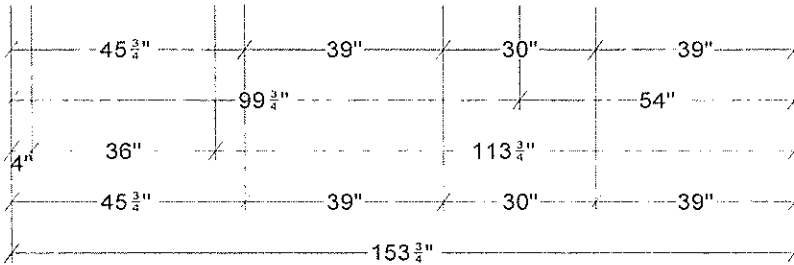
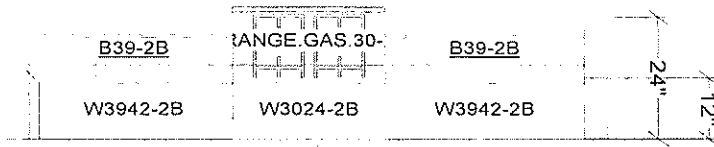
STONEWOOD LOT 603 KITCHEN

Out Side Corner Molding  
 On Each End of Back Panel



BEPDS-3

Micro Cabinet Out 3/4"  
 To Break Up Need For Crown  
 Field Joint

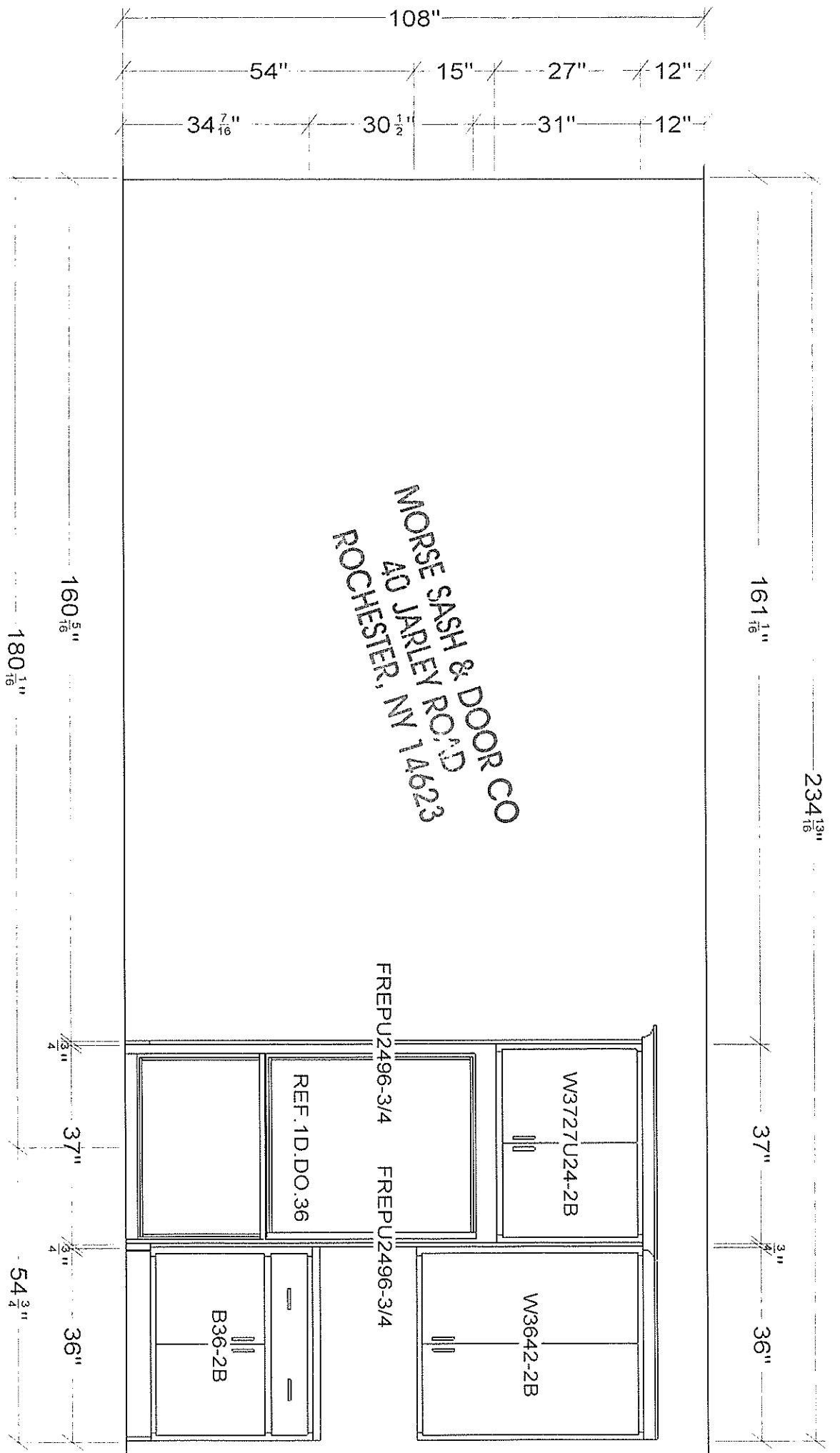


All dimensions, size designations  
 given are subject to verification on  
 job site and adjustment to fit job  
 conditions.

2020

This is an original design and must  
 not be released or copied unless  
 applicable fee has been paid or job  
 order placed.

Designed: 10/4/2018  
 Printed: 4/12/2019

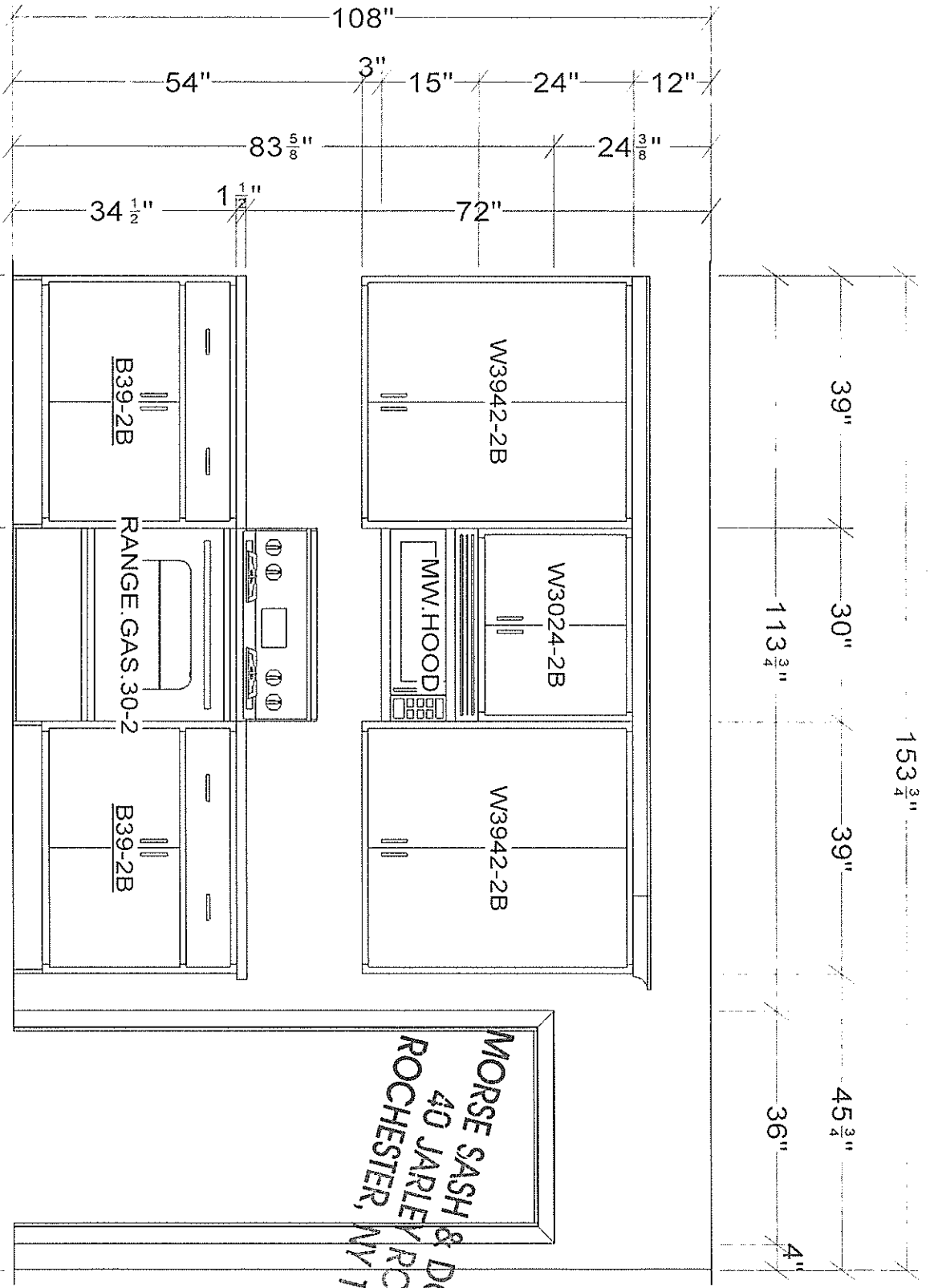


All dimensions - size designations given are subject to verification on job site and adjustment to fit job conditions.

2 20

This is an original design and must not be released or copied unless applicable fee has been paid or job order placed.

Designed: 10/4/2018  
 Printed: 4/12/2019



MORSE SASH & DOOR CO  
 40 JARLEY ROAD  
 ROCHESTER, NY 14623

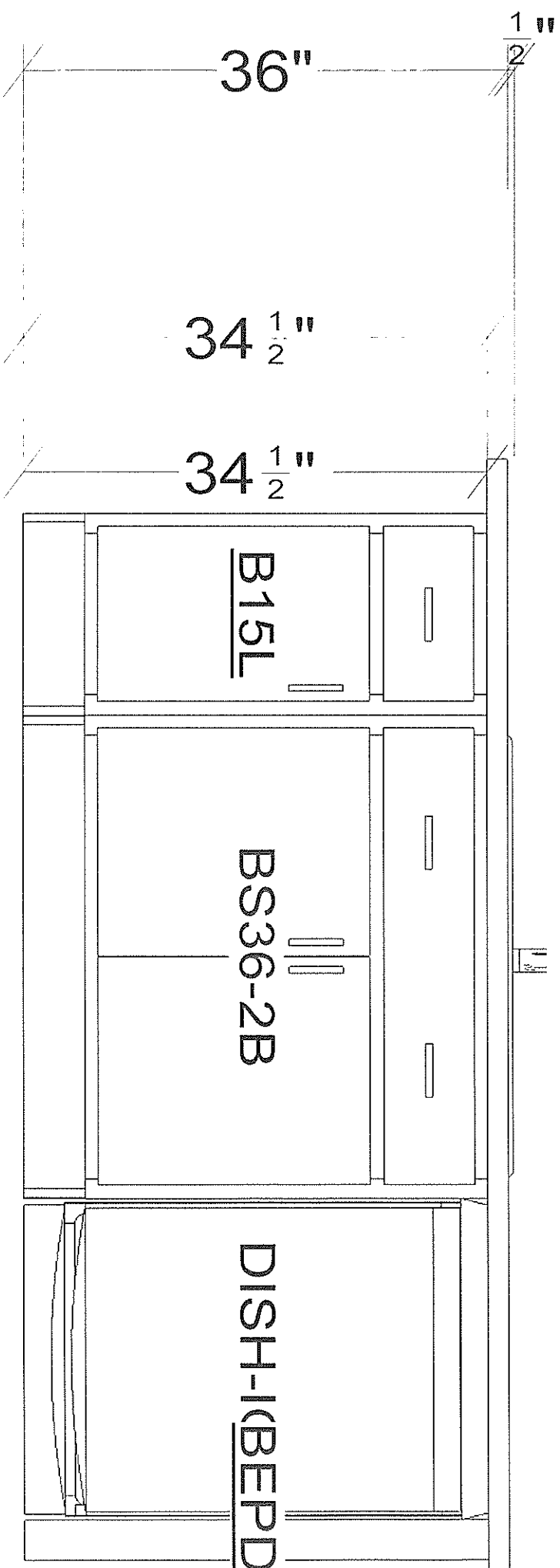
All dimensions, size designations given are subject to verification on job site and adjustment to fit job conditions.

2 20

This is an original design and must not be released or copied unless applicable fee has been paid or job order placed.

Designed: 10/4/2018  
 Printed: 4/12/2019

MORSE SASH & DOOR CO  
 40 JARLEY ROAD  
 ROCHESTER, NY 14623



All dimensions - size designations given are subject to verification on job site and adjustment to fit job conditions.

2020

This is an original design and must not be released or copied unless applicable fee has been paid or job order placed.

Designed: 10/4/2018  
 Printed: 4/12/2019

Stonewood Lot 603 Kit - BB Drawing

E1 3

Drawing #: 1 No Scale.

MORSE SASH & DOOR CO  
40 JARLEY ROAD  
ROCHESTER, NY 14623

34  $\frac{1}{2}$ "

34  $\frac{1}{2}$ "

1/4 BBS-FW34 1/2

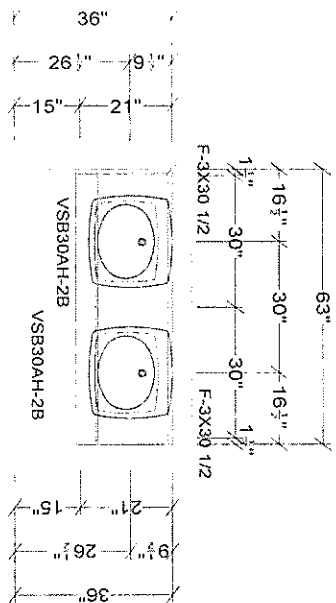
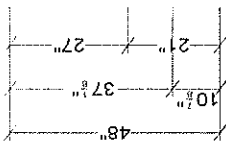
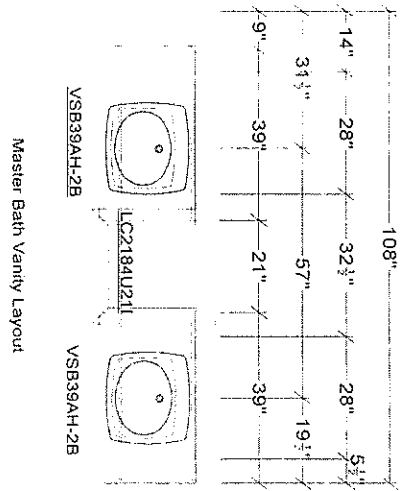
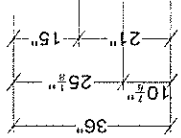
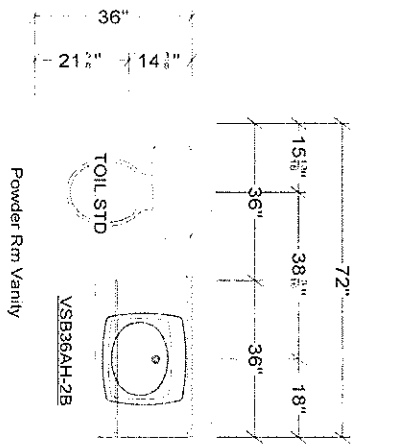
All dimensions -size designations given are subject to verification on job site and adjustment to fit job conditions.

2 20

This is an original design and must not be released or copied unless applicable fee has been paid or job order placed.

Designed: 10/4/2018  
Printed: 4/12/2019

MORSE SASH & DOOR CO  
 40 JARLEY ROAD  
 ROCHESTER, NY 14623



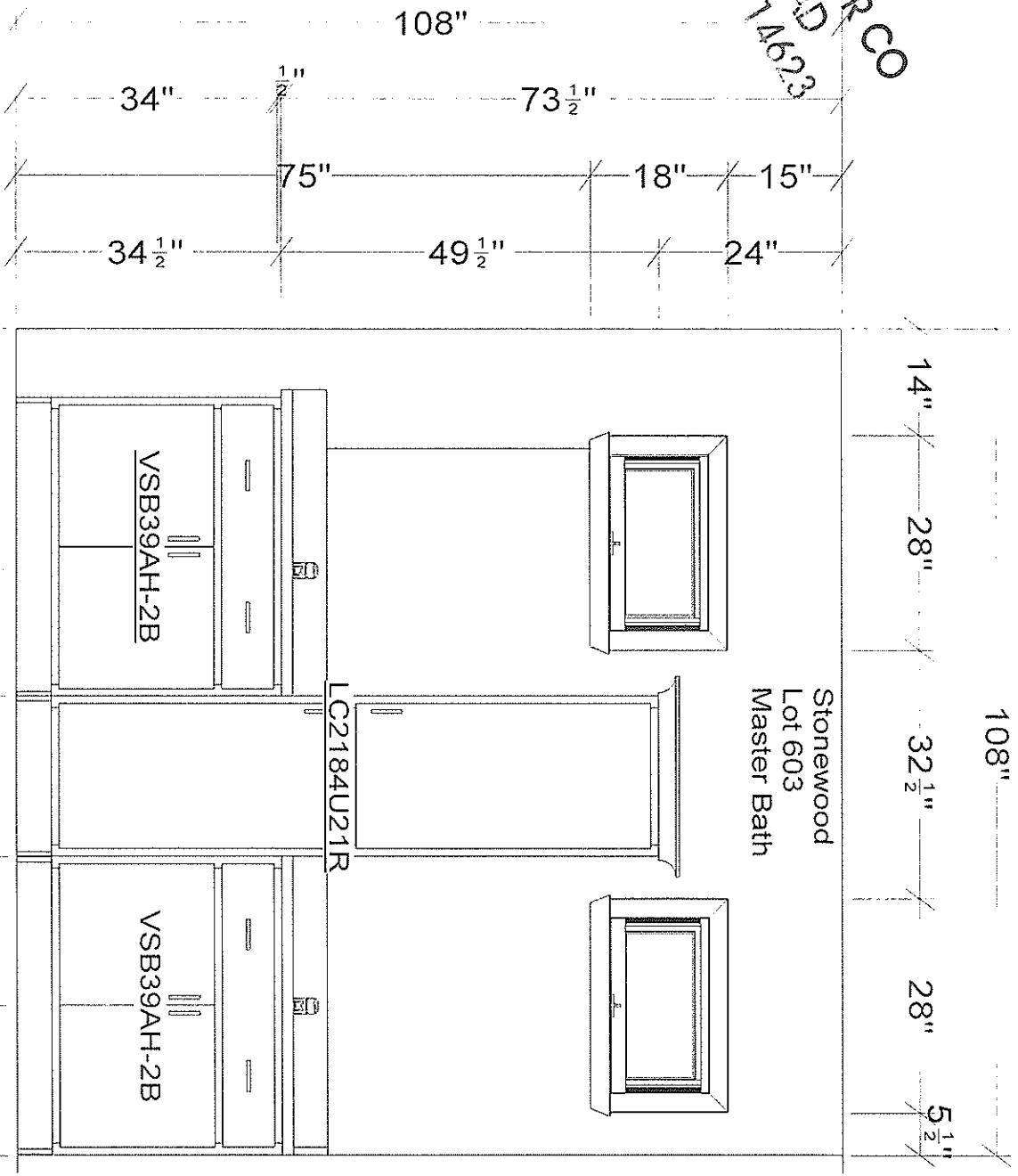
All dimensions, size designations given are subject to verification on job site and adjustment to fit job conditions.

2 20

This is an original design and must not be released or copied unless applicable fee has been paid or job order placed.

Designed: 6/8/2018  
 Printed: 4/12/2019

MORSE SASH & DOOR CO  
 40 JARLEY ROAD  
 ROCHESTER, NY 14623



Stonewood  
 Lot 603  
 Master Bath

All dimensions size designations given are subject to verification on job site and adjustment to fit job conditions.

This is an original design and must not be released or copied unless applicable fee has been paid or job order placed.

2 20

Designed: 6/8/2018  
 Printed: 4/12/2019

Stonewood Lot 603 Vanity

EI 1

Drawing #: 1 No Scale.

MORSE SASH & DOOR CO  
 40 JARLEY ROAD  
 ROCHESTER, NY 14623

Stonewood Lot 603  
 Powder Room

72"

96"

61 1/2"

61 1/2"

34"

27 1/2"

7"

1"

TOIL.STD

VSB36AH-2B

36"

36"

15 13/16"

38 3/16"

18"

All dimensions, size designations given are subject to verification on job site and adjustment to fit job conditions.

2 20

This is an original design and must not be released or copied unless applicable fee has been paid or job order placed.

Designed: 6/8/2018  
 Printed: 4/12/2019

Stonewood Lot 603 Vanity

E1 2

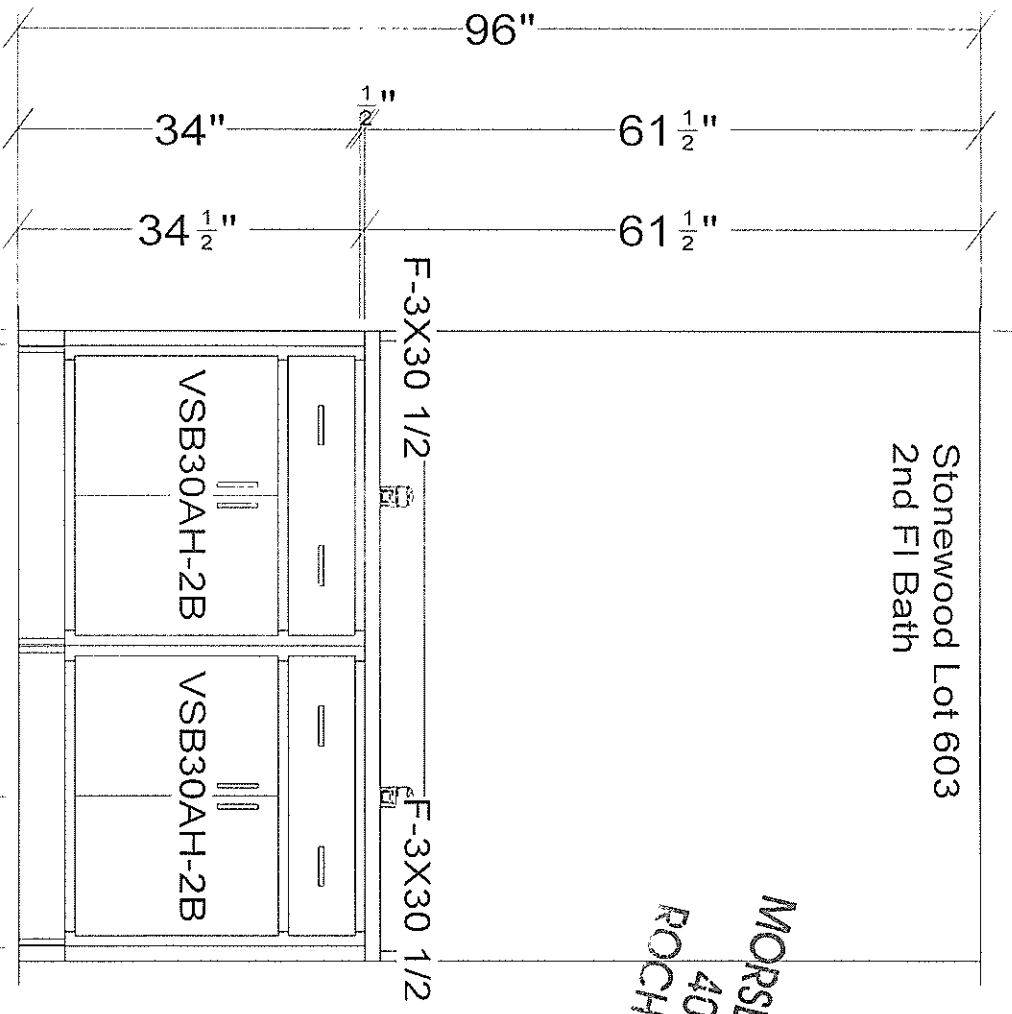
Drawing #: 1 No Scale.



63"

Stonewood Lot 603  
2nd Fl Bath

MORSE SASH & DOOR CO  
40 JARLEY ROAD  
ROCHESTER, NY 14623



1 1/2" 30" 30" 30" 1 1/2"  
 16 1/2" 30" 16 1/2"

All dimensions -size designations given are subject to verification on job site and adjustment to fit job conditions.

2 20

This is an original design and must not be released or copied unless applicable fee has been paid or job order placed.

Designed: 6/8/2018  
Printed: 4/12/2019

Stonewood Lot 603 Vanity

E1 3

Drawing #: 1 No Scale.